



Reserved the rights by Elide Fire Ball Pro Co., Ltd.



10th INTERNATIONAL QUALITY CROWN AWARDS CONVENTION  
LONDON 2004

INTERNATIONAL QUALITY CROWN AWARDS CONVENTION  
B I D - Q C 1 0 0 CONVENTION

LONDON  
QUALITY CROWN AWARDS 100

LONDON 2004

Reserved the rights by Ejide Fire Ball Pro Co., Ltd.



101 300  
을국개발명진회 시

KIPA · Dec 14. 2008 · Ballroom

Reserved the rights by Ellice Fire Ball Pro Co., Ltd.

KIPA  
SEMI GRAND PRIZE  
Korea Fireball Pro Co., Ltd.  
2008  
Awarded to: [Name]  
November 14, 2008

(19) World Intellectual Property Organization  
International Bureau



(43) International Publication Date  
11 December 2008 (11.12.2008)

PCT

(10) International Publication Number  
WO 2008/150265 A1

(51) International Patent Classification:

A62C 35/02 (2006.01)

(21) International Application Number:

PCT/US2007/013595

(22) International Filing Date: 11 June 2007 (11.06.2007)

(25) Filing Language: English

(26) Publication Language: English

(30) Priority Data:

11/802,793 25 May 2007 (25.05.2007) US

(71) Applicant (for all designated States except US): SHELLEY, Rudolph [US/TH]; 199/76 M.1 California Estates, Bangna-trad Rd., Nong Mai Daeng, Muang, Chonburi, 20000 (TH).

(71) Applicant and

(72) Inventor: KAIMART, Phanawatnan [TH/TH]; 14/8-9 M.1 Kaomaikaw, A. Banglamung, Chonburi, 20150 (TH).

(74) Agent: MURTAUGH, John, P.; Pearne & Gordon LLP, 1801 East 9th Street, Suite 1200, Cleveland, OH 44114-3108 (US).

(81) Designated States (unless otherwise indicated, for every kind of national protection available): AE, AG, AL, AM, AT, AU, AZ, BA, BB, BG, BH, BR, BW, BY, BZ, CA, CH, CN, CO, CR, CU, CZ, DE, DK, DM, DO, DZ, EC, EE, EG, ES, FI, GB, GD, GE, GH, GM, GT, HN, HR, HU, ID, IL, IN, IS, JP, KE, KG, KM, KN, KP, KR, KZ, LA, LC, LK, LR, LS, LT, LU, LY, MA, MD, ME, MG, MK, MN, MW, MX, MY, MZ, NA, NG, NI, NO, NZ, OM, PG, PH, PL, PT, RO, RS, RU, SC, SD, SE, SG, SK, SL, SM, SV, SY, TJ, TM, TN, TR, TT, TZ, UA, UG, US, UZ, VC, VN, ZA, ZM, ZW.

(84) Designated States (unless otherwise indicated, for every kind of regional protection available): ARIPO (BW, GH, GM, KE, LS, MW, MZ, NA, SD, SL, SZ, TZ, UG, ZM, ZW), Eurasian (AM, AZ, BY, KG, KZ, MD, RU, TJ, TM), European (AT, BE, BG, CH, CY, CZ, DE, DK, EE, ES, FI, FR, GB, GR, HU, IE, IS, IT, LT, LU, LV, MC, MT, NL, PL, PT, RO, SI, SK, TR), OAPI (BF, BJ, CF, CG, CI, CM, GA, GN, GQ, GW, ML, MR, NE, SN, TD, TG).

[Continued on next page]

(54) Title: FIRE EXTINGUISHING BALL 2

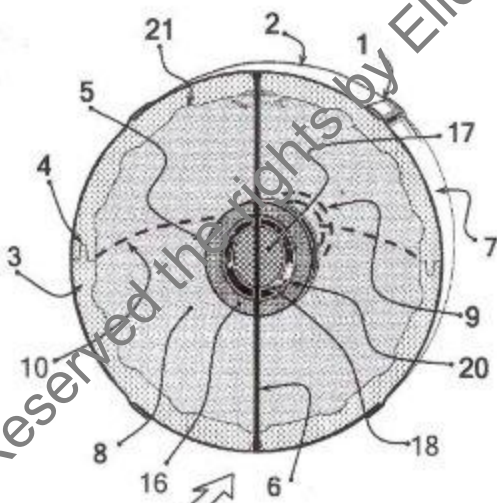


FIG. 1

(57) Abstract: A fire extinguishing device of the explosive type is disclosed for use in interior or localized exterior conflagrations, wherein the force of detonation is minimized through the use of low-density, low-mass components. The present invention is an improvement of U S Patent 6,796,382 by the same inventor, wherein the pyrotechnic detonator is advanced upon to attenuate the sound of the previous invention, and improve upon the omni-directional dispersal of the fire retarding agent. The exterior ball is composed of a lightweight casing of rigid plastic foam or other suitably frangible material, with an abrasion-resistant, thin plastic, protective, exterior sheathing. Within the internal cavity of the device, the above-mentioned low-yield pyrotechnic detonator is located inside and is actuated by fuse cords secured at or near the exterior surface. The interior volume of the hollow casing is charged with fire-retardant chemical agents.

WO 2008/150265 A1

Reserved rights by Elide Fire Ball Pro Co., Ltd.

(19) World Intellectual Property Organization  
International Bureau



(43) International Publication Date  
11 December 2008 (11.12.2008)

PCT

(10) International Publication Number  
**WO 2008/150265 A1**

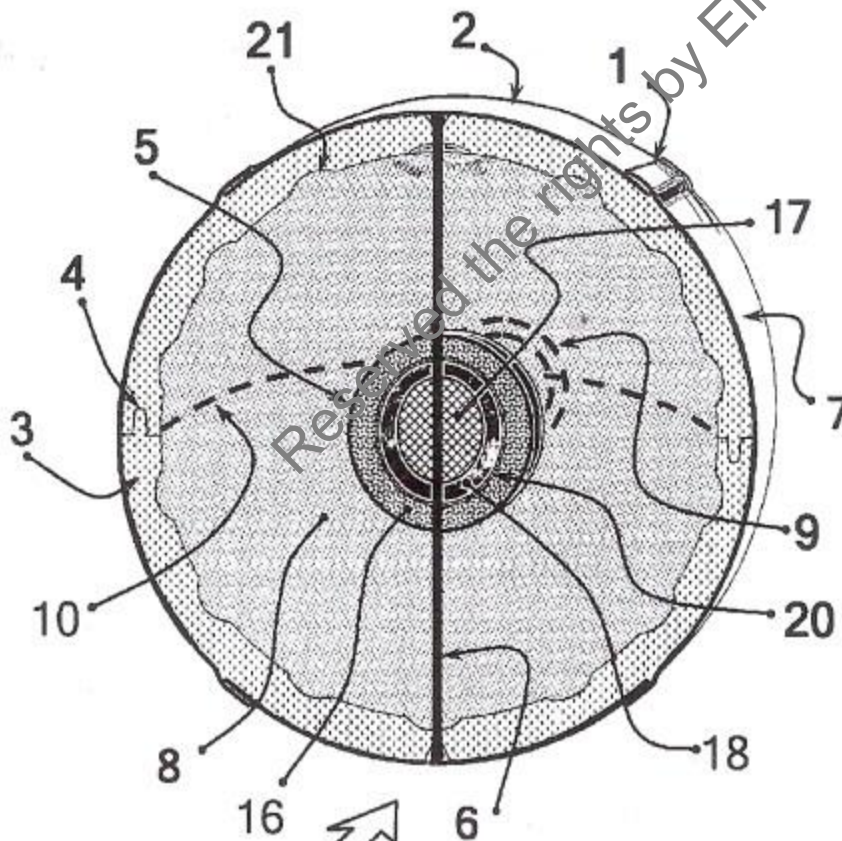
- (51) International Patent Classification:  
A62C 35/02 (2006.01)
- (21) International Application Number:  
PCT/US2007/013595
- (22) International Filing Date: 11 June 2007 (11.06.2007)
- (25) Filing Language: English
- (26) Publication Language: English
- (30) Priority Data:  
11/802,793 25 May 2007 (25.05.2007) US
- (71) Applicant (for all designated States except US): **SHEL-  
LEY, Rudolph** [US/TH]; 199/76 M.1 California Estates,  
Bangna-trad Rd., Nong Mai Daeng, Muang, Chonburi,  
20000 (TH).
- (71) Applicant and
- (72) Inventor: **KAIMART, Phanawatnan** [TH/TH]; 14/8-9  
M.1 Kaomaikaew, A. Banglamung, Chonburi, 20150 (TH).
- (74) Agent: **MURTAUGH, John, P.**; Pearne & Gordon LLP,  
1801 East 9th Street, Suite 1200, Cleveland, OH 44114-  
3108 (US).

(81) Designated States (unless otherwise indicated, for every kind of national protection available): AE, AG, AL, AM, AT, AU, AZ, BA, BB, BG, BH, BR, BW, BY, BZ, CA, CH, CN, CO, CR, CU, CZ, DE, DK, DM, DO, DZ, EC, EE, EG, ES, FI, GB, GD, GE, GH, GM, GT, HN, HR, HU, ID, IL, IN, IS, JP, KE, KG, KM, KN, KP, KR, KZ, LA, LC, LK, LR, LS, LT, LU, LY, MA, MD, ME, MG, MK, MN, MW, MX, MY, MZ, NA, NG, NI, NO, NZ, OM, PG, PH, PL, PT, RO, RS, RU, SC, SD, SE, SG, SK, SL, SM, SV, SY, TJ, TM, TN, TR, TT, TZ, UA, UG, US, UZ, VC, VN, ZA, ZM, ZW.

(84) Designated States (unless otherwise indicated, for every kind of regional protection available): ARIPO (BW, GH, GM, KE, LS, MW, MZ, NA, SD, SL, SZ, TZ, UG, ZM, ZW), Eurasian (AM, AZ, BY, KG, KZ, MD, RU, TJ, TM), European (AT, BE, BG, CH, CY, CZ, DE, DK, EE, ES, FI, FR, GB, GR, HU, IE, IS, IT, LT, LU, LV, MC, MT, NL, PL, PT, RO, SI, SK, TR), OAPI (BF, BJ, CF, CG, CI, CM, GA, GN, GQ, GW, ML, MR, NE, SN, TD, TG).

[Continued on next page]

(54) Title: FIRE EXTINGUISHING BALL 2



**FIG. 1**

(57) Abstract: A fire extinguishing device of the explosive type is disclosed for use in interior or localized exterior conflagrations, wherein the force of detonation is minimized through the use of low-density, low-mass components. The present invention is an improvement of U S Patent 6,796,382 by the same inventor, wherein the pyrotechnic detonator is advanced upon to attenuate the sound of the previous invention, and improve upon the omni-directional dispersal of the fire retarding agent. The exterior ball is composed of a lightweight casing of rigid plastic foam or other suitably frangible material, with an abrasion-resistant, thin plastic, protective, exterior sheathing. Within the internal cavity of the device, the above-mentioned low-yield pyrotechnic detonator is located inside and is actuated by fuse cords secured at or near the exterior surface. The interior volume of the hollow casing is charged with fire-retardant chemical agents.

WO 2008/150265 A1

U 7071982



# THE UNITED STATES OF AMERICA

**TO ALL TO WHOM THESE PRESENTS SHALL COME:**

**UNITED STATES DEPARTMENT OF COMMERCE**

**United States Patent and Trademark Office**

June 11, 2007

**THIS IS TO CERTIFY THAT ANNEXED HERETO IS A TRUE COPY FROM  
THE RECORDS OF THIS OFFICE OF:**

**U.S. PATENT: 6,796,382**

**ISSUE DATE: September 28, 2004**

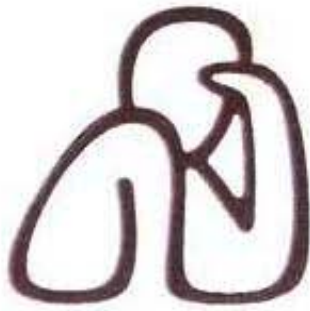
**By Authority of the**

**Under Secretary of Commerce for Intellectual Property  
and Director of the United States Patent and Trademark Office**

*L. Edelen*

**L. EDELEN  
Certifying Officer**





## BRUSSELS EUREKA 2001

50<sup>e</sup> WORLD EXHIBITION OF INNOVATION, RESEARCH AND NEW TECHNOLOGY,  
50<sup>e</sup> SALON MONDIAL DE L'INNOVATION, DE LA RECHERCHE ET DES NOUVELLES TECHNOLOGIES  
50<sup>e</sup> WERELDBEURS VOOR INNOVATIE, ONDERZOEK EN NIEUWE TECHNOLOGIEËN  
50<sup>o</sup> SALÓN MUNDIAL DE LA INNOVACIÓN, INVESTIGACIÓN Y NUEVAS TECNOLOGÍAS  
50. WELTMESSE FÜR ERFINdung, FORSCHUNG UND NEUE TECHNOLOGIEN  
50<sup>o</sup> SALONE MONDIALE DELL'INNOVAZIONE, DELLA RICERCA E DELLE NUOVE TECNOLOGIE

# DIPLOMA

WORADELH KAITMART

POUR L'INVENTION  
VOOR DE UITVINDING  
FOR THE INVENTION  
FÜR ERFINdung

*Fire extinguisher ball*

**Gold medal with mention**

BRUSSELS, 16/11/2001

THE PRESIDENT OF THE INTERNATIONAL JURY

THE PRESIDENT

"РОССИЙСКИЕ ИЗОБРЕТЕНИЯ - НА БЛАГО ЧЕЛОВЕЧЕСТВА!"



## БРЮССЕЛЬ-ЭВРИКА'2001

50-й ВСЕМИРНЫЙ САЛОН ИЗОБРЕТЕНИЙ, НАУЧНЫХ ИССЛЕДОВАНИЙ И ПРОМЫШЛЕННЫХ ИННОВАЦИЙ  
50<sup>eme</sup> SALON MONDIAL DE L'INVENTION, DE LA RECHERCHE ET DE L'INNOVATION INDUSTRIELLE  
50<sup>th</sup> WORLD EXHIBITION OF INVENTION, RESEARCH AND INDUSTRIAL INNOVATION

# ДИПЛОМ

Министерство Российской Федерации  
по делам гражданской обороны, чрезвычайным ситуациям  
и ликвидации последствий стихийных бедствий

Награждает

*Bochadeck Kaimart*

ЗА ЛУЧШЕЕ ДОСТИЖЕНИЕ, СПОСОБСТВУЮЩЕЕ СПАСЕНИЮ ЛЮДЕЙ  
И УМЕНЬШЕНИЮ ПОСЛЕДСТВИЙ СТИХИЙНЫХ БЕДСТВИЙ И ТЕХНО-  
ЛОГИЧЕСКИХ КАТАСТРОФ  
**Fire extinguisher ball**

Министр

С. Шойгу



BULGARIAN AMERICAN CHAMBER OF COMMERCE & INDUSTRY

# Certificate



Certificate No: BACCI/01/0016

Date: November 22, 2001

Bulgarian American Chamber of Commerce & Industry  
Central Agency: Sofia, Bulgaria

Issues this Certificate in Recognition to

*Mr. Wladec Kaimart*

For Special Deserts in Thailand  
In the Field of Innovations  
For the invention:

*Fire Extinguisher Ball*

A handwritten signature in black ink, appearing to read 'Wladec Kaimart'.

Signature:

Chairman



Reserved the rights by Elide Fire Ball Pro Co., Ltd.



The President of Editorial Office  
certifies that the firm

**SIAM SAFETY PREMIER CO. LTD.**

has been elected to receive the  
**33rd INTERNATIONAL AWARD FOR  
BUSINESS LEADERSHIP & PRESTIGE**

Berlin, 23rd June 2003

The President

Reserved the right by Elide Fire Ball Co., Ltd.



As Executive President and Vice President of BID, it is a privilege to present this

# CERTIFICATE

to

## SIAM SAFETY PREMIER CO., LTD.

in recognition of outstanding commitment  
to Quality and Excellence,  
which merits the

### INTERNATIONAL QUALITY CROWN AWARD LONDON 2004

in the realm of Customer Satisfaction, Leadership, Innovation and Efficiency,  
as established in the QC100 TQM model.

London, November 29, 2004

*Doyle L. Fickling*  
Vice President  
BID Business Initiative Directions

*José E. Prieto*  
President  
BID Business Initiative Directions



THE 21ST  
WORLD GENIUS CONVENTION



*Genius Bronze Medal*

*Presented to*

**Mr. Phanawatnan Kaimart**

**ELIDE FIRE**

*Presented at*

**World Genius Convention**

Nov. 8-9, 2007

Marunouchi OAZO

Tokyo, Japan

**Dr. Yoshiro Nakamats**  
*Chairman*



WORLD INTELLECTUAL PROPERTY ORGANIZATION

## WIPO AWARD CERTIFICATE

On the occasion of  
“The First International Inventor’s Day Convention (1<sup>st</sup> IIDC) and  
the National Inventors Day”

organized by the  
National Research Council of Thailand (NRCT)  
Bangkok, February 2 to 5, 2008

**The WIPO Award for the Outstanding Inventor**  
is hereby awarded to

*Mr. Woradech Kaimart*

for the invention of:

*SLIDE FIRE Extinguishing Ball*

Geneva and Bangkok  
February 2008

A handwritten signature in black ink, appearing to be 'Kamil Idris', written over a white background.

Kamil Idris  
Director General  
WIPO



Minnesota Inventors Congress USA

# Excellence Award

This award, selected by the Executive Director, is presented to the inventor exhibiting the invention deemed to be the "Best of Show."

MR. WORACHET KAIMART



Exhibited at the 1st International  
Inventor's Day 2008, Bangkok Thailand

In recognition of your invention

ELUDE FIRE

Deb Hess

Signature

2-4-08  
Date



# National Research Council of Thailand

This certificate proclaims the prestige to

**Mr. Phanawathan Kaimart**

**Title: "Elide Fire" Fire Extinguishing Ball**

**as the winner of INVENTOR AWARD**

**Area: Engineering and Industry  
Outstanding Award**

**Conferred by H.E. Prime Minister (Gen. Surayud Chulanont)**

**On "Inventor's Day" and "The First International Inventor's Day Convention"**

**2 - 5 February 2008**

**Issued on 2 February 2008.**

*Ahmond Bunyaratvej*

**(Professor Ahmond Bunyaratvej)**

**NRCT Secretary General**

KOREA INVENTION PROMOTION ASSOCIATION



**SIIF** Seoul  
2008 International  
Invention Fair 2008

# Semi Grand Prize

presented to

**Phanawatnan Kaimart**

from **Thailand**

for commending excellent and creative effort to invent

**Fire extinguishing ball "Elide Fire"**

exhibited at

**the Seoul International Invention Fair 2008**

organized by

**Korea Invention Promotion Association**

**in Seoul, KOREA**

**December 11 ~ 15, 2008**



**박 상 원**

**Bahk Sang-won**

**President**

**Korea Invention Promotion Association**







# ДИПЛОМ

Федеральное агентство по науке  
и инновациям Российской Федерации

награждает

PHANAWATNAN KAIMART

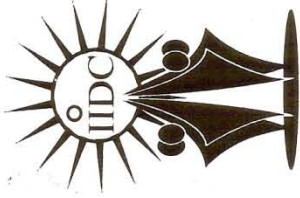
Fire extinguishing ball Elide Fire

за высокий технический уровень воплощения  
оригинальной научной идеи на

4-ой Международной ярмарке изобретений SIIF-2008  
г. Сеул, Республика Корея, 11-15 декабря 2008 г.

Заместитель Руководителя  
Федерального агентства  
по науке и инновациям

Биленкина У.П.



**High Impact Invention Award**  
**The Winner Gold Medalist**

is presented by

The National Research Council of Thailand (NRCT)

to  
**Fire Extinguisher Ball**  
**Phanawatnan Kaimart**  
**Thailand**

The Second International Inventor's Day Convention (2<sup>nd</sup> IIDC)

February 2 - 5, 2009  
Bangkok, Thailand

*Ahmond Bunyaratvej*

February 4, 2009

( Prof. Dr. Ahmond Bunyaratvej )

Secretary - General

National Research Council of Thailand ( NRCT )

**THE INTERNATIONAL FEDERATION OF INVENTORS' ASSOCIATIONS**

**PRESENTS**

**IFIA CUP**

**FOR THE BEST INVENTION OF THE 2<sup>ND</sup> INTERNATIONAL INVENTORS' DAY CONVENTION  
EXHIBITION - BANGKOK 2009**

**Fire Extinguishing Ball (Elide Fire)**

**TO**

**Mr. Phanawatnan Kaimart**



**FEBRUARY 2, 2009, BANGKOK**

**DR. ANDRÁS VEDRES PRESIDENT**

*Handwritten signature of Dr. András Vedres*

*Reserved the rights by Elide Fire Ball Pro Co., Ltd.*

The President of  
**OTHERWAYS MANAGEMENT & CONSULTING**  
**ASSOCIATION PARIS - FRANCE**

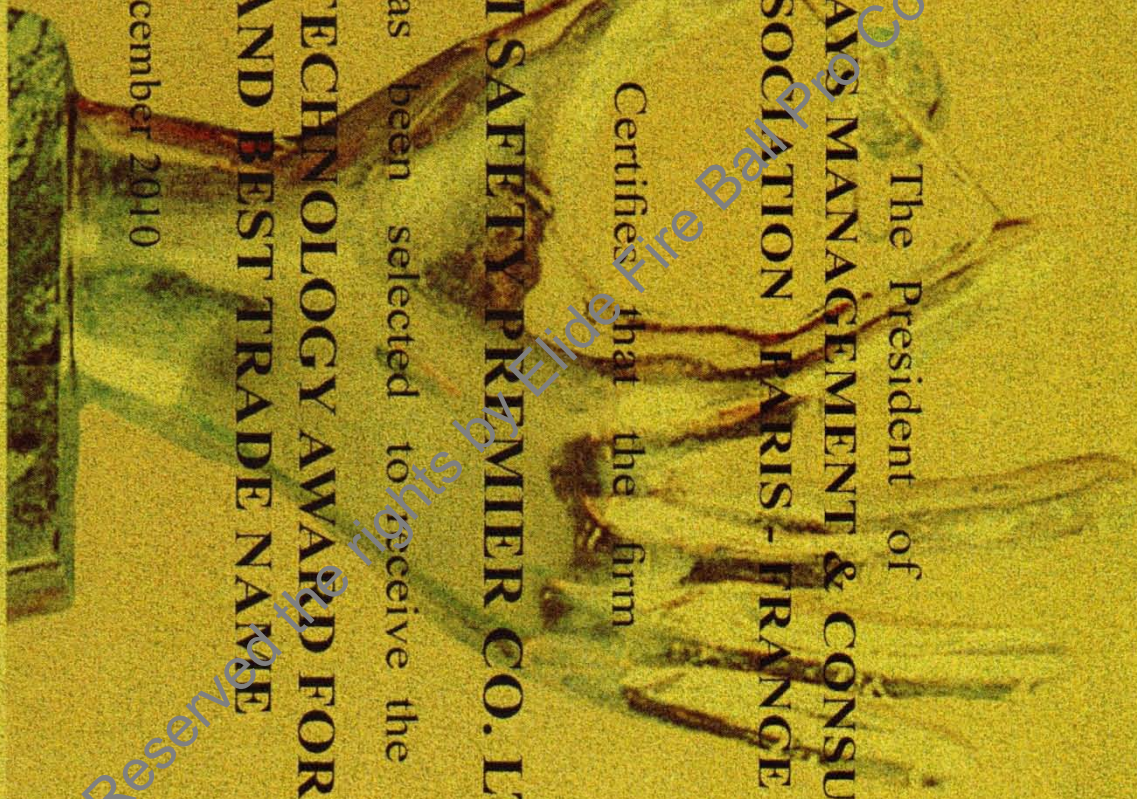
Certifies that the firm

**SIAM SAFETY PREMIER CO. LTD**

has been selected to receive the

**PLATINUM TECHNOLOGY AWARD FOR QUALITY**  
**AND BEST TRADE NAME**

Geneva, 20th December 2010



The President,  
**177777**



**Europe Business Assembly  
Corporation of Social Partnership**

# Licence

IN ACCORDANCE WITH UK TRADE MARKS ACT 1994  
AND EBA AWARDS REGULATIONS THE RIGHTS ARE GRANTED  
FOR PERIOD OF 5 YEARS TO USE TRADE MARK

**BEST ENTERPRISE**

(THE GREAT BRITAIN AND NORTHERN IRELAND PATENT OFFICE, REG. #2401351)

FOR MARKETING PURPOSES TO

**SIAM SAFETY PREMIER CO., LTD., Thailand**  
Chief Executive Officer PHANAWATNAN KAIMART

LICENCE # VI/XII/XI valid from 1.12.11 until 1.12.2016

MEMBERS OF EBA  
LICENCE COMMITTEE

REGISTRAR INTL.



JOHN NETTING  
EBA DIRECTOR GENERAL